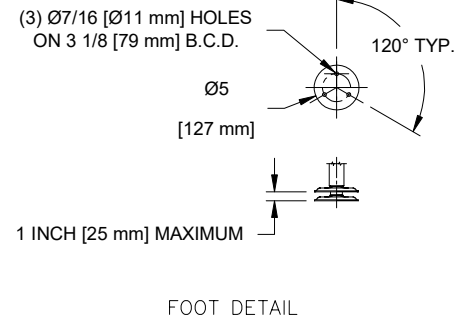
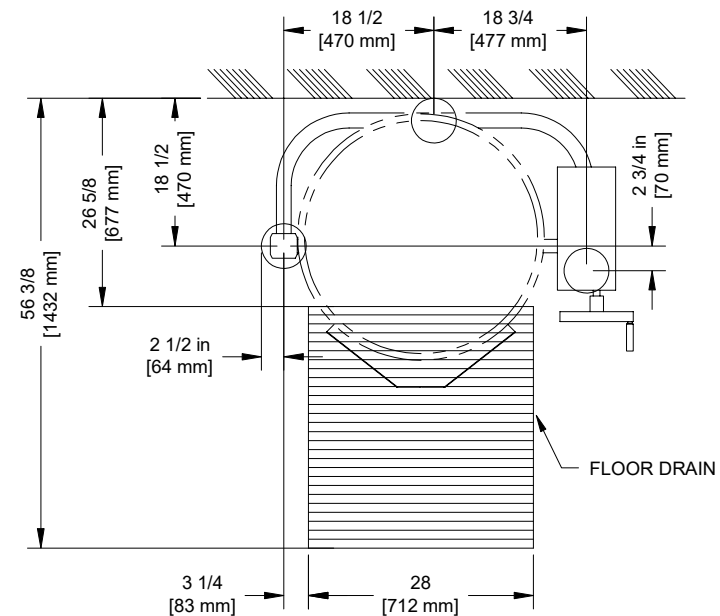
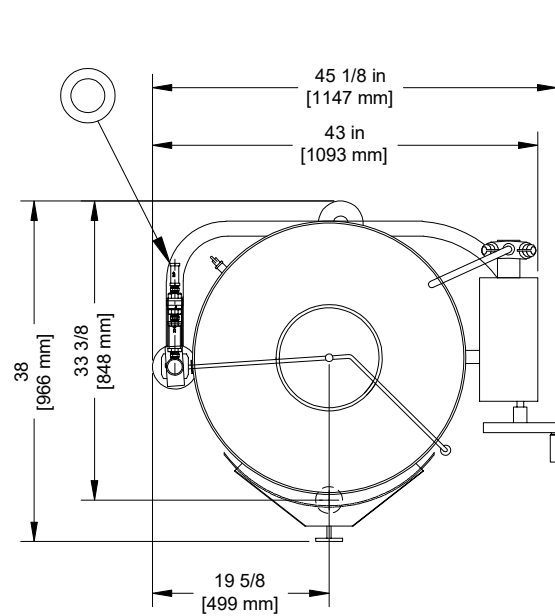


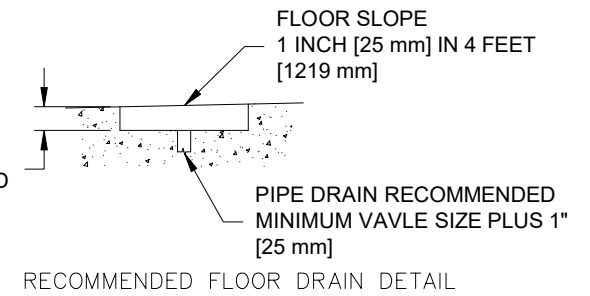
KDL-60-T OPTIONS	NOTES:
316 STAINLESS STEEL LINER	
STANDARD SPRING ASSIST COVER	
(TD-2) 2" TANGENT DRAW-OFF VALVE	
(DS-2) DRAIN STRAINER	3/16" DIA. HOLES (STANDARD)
(SCK4) S.S. STEAM CONTROL KIT	
(DPK) DOUBLE PANTRY FAUCET	Ⓒ COLD WATER: Ⓓ HOT WATER:
(FBKT) FAUCET BRACKET	PIPING: 1/2" NPT (DOUBLE)
(HS) HEAT SHIELD	
(Q10051) MARINE KIT TRUNNION ASSY	
(Q10051B) ANTI-CORROSSION TRUNNION ASSY	
50 PSI	
CHROME PLATED SAFETY VALVE	
HEX BOLT STYLE EXPOSED SCREWS WITH SILICONE SEAL COVER	
NSF APPROVAL	
ASME PRESSURE CERTIFICATION	

NOTES:

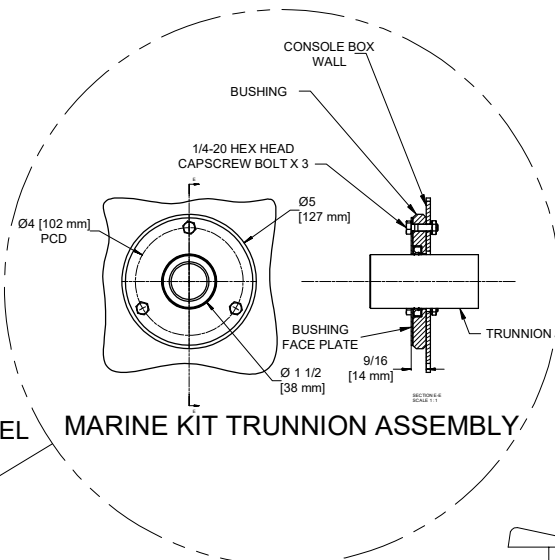
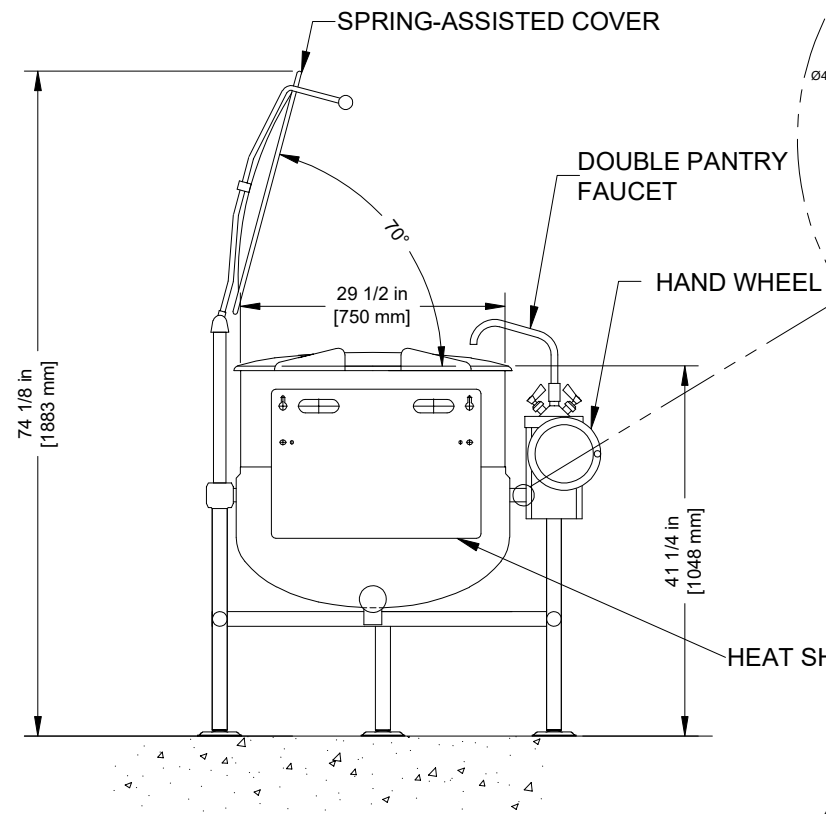
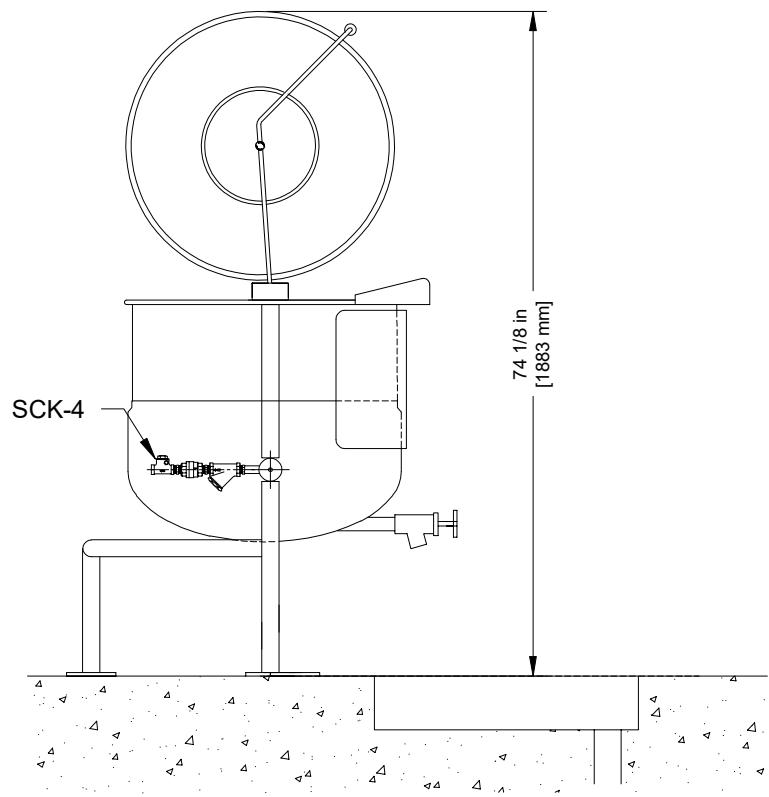
- 1.) ALL VERTICAL DIMENSIONS SHOWN ARE MINIMUM. FEET ARE ADJUSTABLE TO 1 INCH [25 mm] MAXIMUM.
- 2.) CLEVELAND RANGE RESERVES RIGHT OF DESIGN IMPROVEMENT OR MODIFICATION AS WARRANTED.
- 3.) TO PREVENT INJURY KETTLE MUST BE BOLTED TO FLOOR.



FOOT LOCATION AND RECOMMENDED FLOOR DRAIN DETAIL



4 INCH [102 mm] MINIMUM
6 INCH [152 mm] RECOMMENDED



MARINE KIT TRUNNION ASSEMBLY

TD-2 TANGENT DRAW-OFF VALVE

FLOOR SLOPE 1 INCH IN 4 FEET
4" MINIMUM
6" RECOMMENDED
(SEE ALSO FOOT LOCATION)

PIPE DRAIN RECOMMENDED MINIMUM VALVE SIZE PLUS 1"

DRAWING IS NOT TO SCALE

UTILITIES:

- ⊕ STEAM IN - 3/4 NPT
- Ⓓ HOT WATER FAUCET } 1/2
- Ⓒ COLD WATER FAUCET } COPPER TUBE
- ⊙ CONDENSATE RETURN - 1/2 NPT

CUSTOMER APPROVAL

NAME:

SIGNATURE:

DATE :

THIS DESIGN COVERS A PROPRIETARY ITEM AND IS THE PROPERTY OF CLEVELAND RANGE LTD. THIS DRAWING IS NOT TO BE COPIED OR USED WITHOUT THE APPROVAL OF CLEVELAND RANGE LTD.		FOR GENERAL TOLERANCES REFER TO PMI-043		CLEVELAND RANGE LTD. 8251 KEELE STREET, CONCORD, ONTARIO, CANADA		TITLE SALES DRAWING KDL60T w/ MARINE OPTIONS	
MATERIAL TYPE & GRADE		DO NOT SCALE PRINTED DRAWING		DRAWN BY NBANAIT		DRAWING NO. KDL60TMV	
FORM SIZE FINISH		DATE 05/20/2021		SHEET 1 OF 1		REV A	